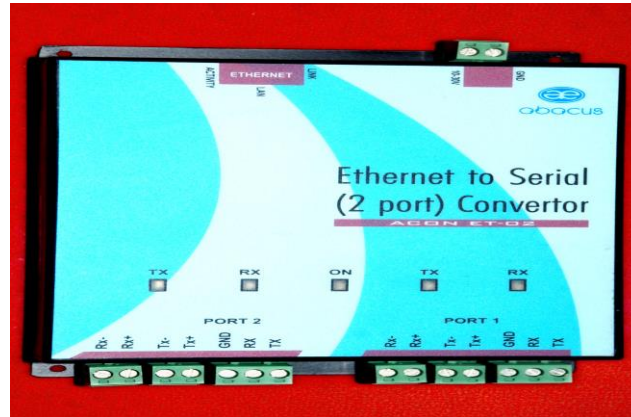


ACON-ET -02

ETHERNET TO SERIAL (TWO PORT) CONVERTER



MODEL ACON ET- 02 IS SERIAL TO ETHERNET CONVERTER SUPPORTING TWO SERIAL PORTS & USE TO PUT ANY SERIAL DEVICE ON NETWORK SO THAT REMOTE DEVICE CAN MADE EASILY ACCESSIBLE THROUGH NETWORK COMMUNICATION.

SPECIFICATION-

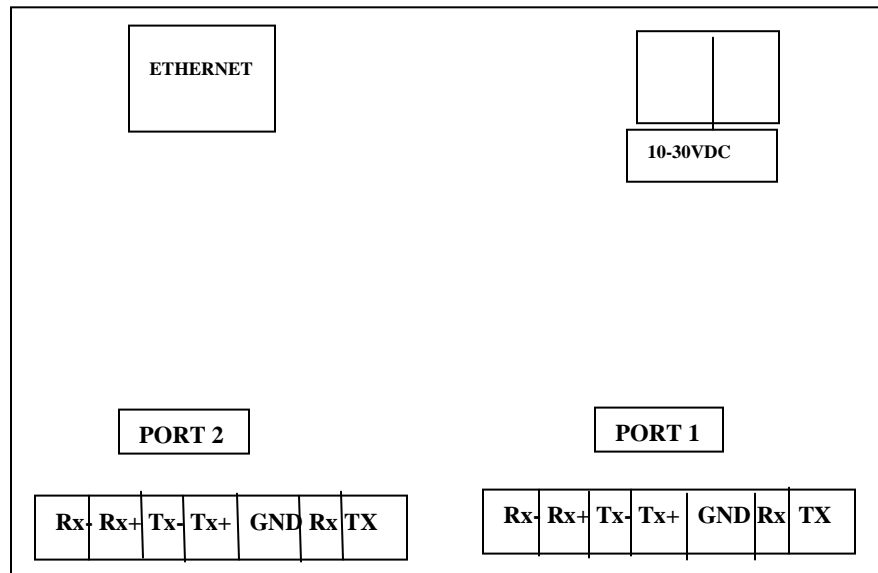
ISOLATION	:	500V	1. PORT TO PORT
			2. PORT TO ETHERNET
INTERFACE	:	1. ETHERNET	
		2. RS232 OR RS485 (DIP SELECTION)	
SPEED	:	1. ETHERNET (10 MBPS/)	
		2. RS232 OR RS485 (2400 BPS TO 115 KBPS)	
CONNECTORS	:	1. ETHERNET (RJ 45)	
		2. RS232 OR RS485 (DETACHABLE TERMINAL BLOCK).	
INDICATIONS:		1. ETHERNET (LINK/ACTIVITY)	
		2. RS232 OR RS485 (TRANSMIT & RECEIVE)	
POWER	:	10 TO 30 VDC	
SIZE	:	113[W] X35[D] X 135[L] MM.	
		(DIN RAIL /PANEL MOUNTED)	
ACCESSORIES	:	1) DRIVER CD FOR	
		2) DINRAIL CLIPS	

DIP SWITCH SELECTION-

THERE IS TWO DIP SWITCH ON THE BACK SIDE OF THE DEVICE
FOR EACH PORT TO SELECT SERIAL PORT MODE.

ON	OFF	STATUS
1	2, 3, 4	RS232
2	1, 3, 4	RS 485(2W)
2, 3	1, 4	RS 485(4W)

DIAGRAM---



DEFAULT PORT NO. -- FOR PORT 1 -> PORT NO. 1001

FOR PORT 2 -> PORT NO. 1002

WIRING DIAGRAM---

FOR RS232
TX --- RX
RX --- TX
GND --- GND

FOR RS 485 /422- 4 W
TX + ---- RX +
TX - ---- RX -
RX + ---- TX+
RX - ---- TX -

FOR RS 485 2 W
TX + ---- D +
TX - ---- D -

Address: Narhe Industrial Estate, Lane No. 1, Sr. No. 44/21, Narhe Gaon, Tal-Haveli, Pune, Maharashtra 411041 **Tel :** +91 9284025858

Email: Info@abacuselectronics.in **Webiste:** www.abacuselectronics.in